

Features

- Efficiency up to 78%
- 2500VAC Isolation
- Single output
- short circuit protection
- Universal Input :85 ~ 264VAC,47 ~ 440Hz
- Wide temperature -25 to 70
- Power modules for PCB mounting design
- Plastic case



Model Selection Guide

Order Code	Input		Output		Recommend capacitive(uF)	Efficiency(%) (Typ)
	AC(V)	DC(V)	Vo(V)	Io(mA)		
ADN3-S03	85-264	120-370	3.3	500	330	65
ADN3-S05			5	500	330	72
ADN3-S09			9	333	220	72
ADN3-S12			12	250	220	78
ADN3-S15			15	200	220	78

Input Characteristics

Parameter	Condition	Min	Typ	Max	Units
Input Voltage Range	AC	85	---	264	VAC
	DC	120	---	375	VDC
Input Frequency	AC	47	---	440	Hz

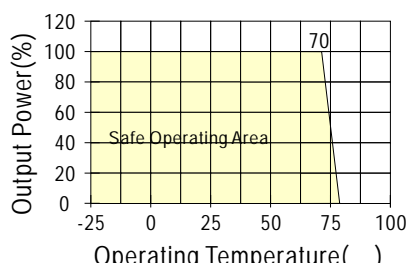
Output Characteristics

Parameter	Condition	Min	Typ	Max	Units
Output Voltage Accuracy		---	1	---	%
Load regulation	10% ~ 100% load	---	±0.5	±1	%
Line regulation	Vin(Min-Max)	---	±0.5	±1	%
Ripple and noise	20MHz	---	120	---	mVp-p
Switching frequency	Full load,nominal input	---	60	---	KHz
Transient Recovery Time	25% Load Step Change	---	---	500	us
Hold-up time		---	50	---	ms
Short circuit Protection		Continuous, Automatic Recovery			

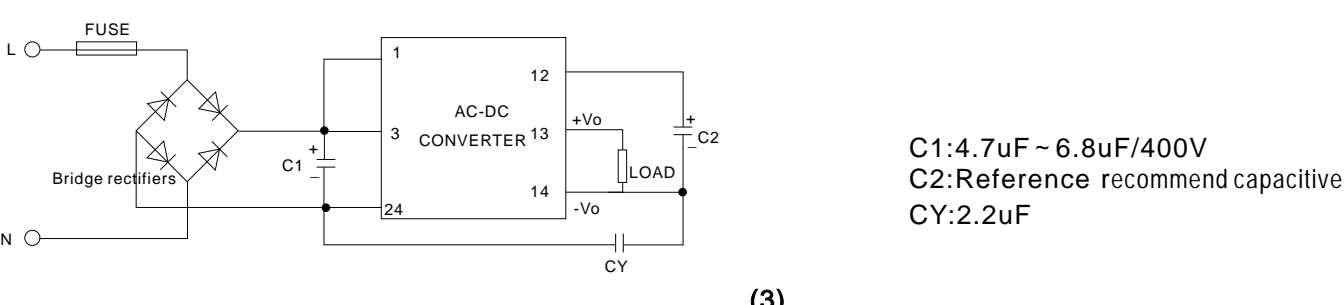
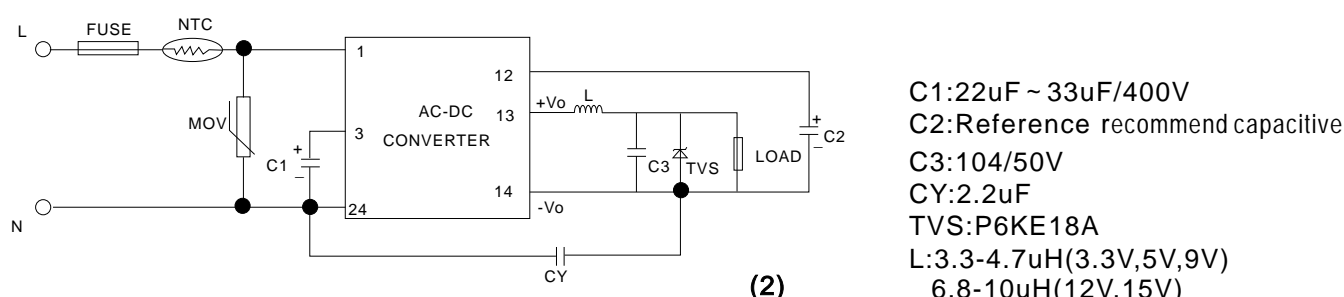
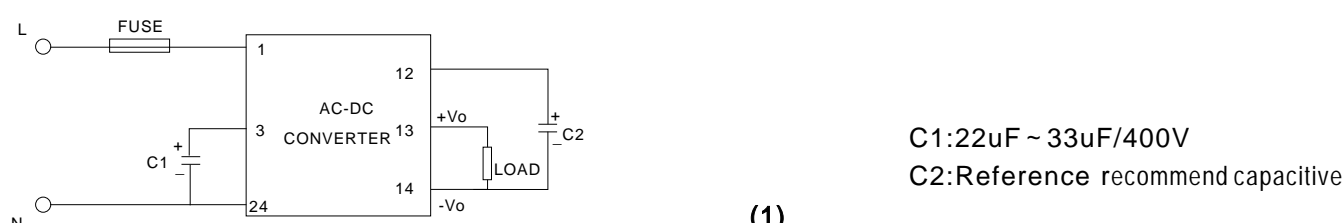
General Characteristics

Parameter	Condition	Min	Typ	Max	Units
Operating Temperature	Case	-25	---	+70	
Storage		-40	---	+105	
Storage humidity		---	---	+95	%
Cooling	Free air convection	---	---	---	
Isolation voltage	Input-Output 1mA 1minute	---	2500	---	VAC
Isolation resistance	500VDC	---	500	---	M
MTBF	2 × 10 ⁵				K hours
Case material		plastic			

Temperature Derating Graph Curve



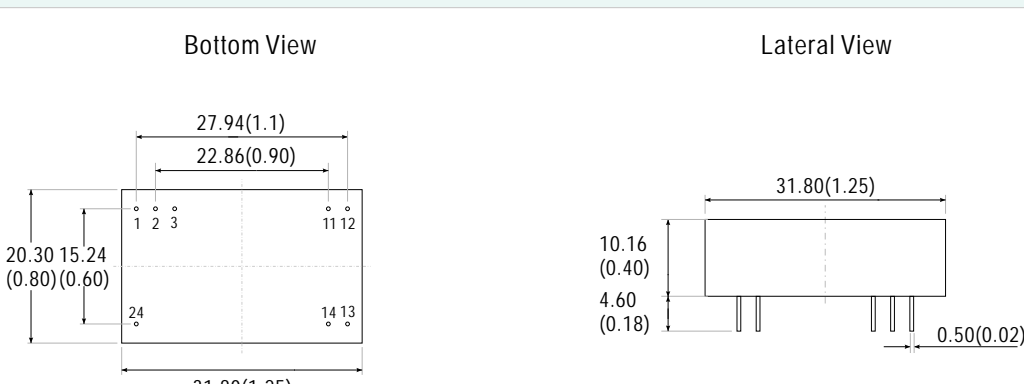
Application circuit



Note

- 1.All the specifications typical at Ta=+25 resistive load, nominal input voltage and rated output current unless otherwise noted.
- 2.Operation under no-load conditions will not damage these modules; however they may not meet all specifications listed.
- 3.Ripple & Noise measurement bandwidth is 0-20MHz.
- 3.Other input and output voltage may be available, please
- 4.All AC/DC converters should be externally fused at the front end for protection.
- 5.Specifications subject to change without notice

Mechanical Dimension & Pin Connections



Note:

Pin	1	2	3	11	12	13	14	24
Function	L	NP	CS1	NP	CS2	+Vo	-Vo	N